



GLLS

 **VALIS**

**VIVID ARCHITECTURAL LETTERING &
ILLUMINATED SIGNAGE**

GLLS, reserves the right to make any design changes for continuous improvement which will not affect the overall appearance or performance.

VALIS

- *Custom Made with a 3-5 Week Lead Time*
- *Available in Pantone, NCS or RAL Colors*
- *Highest Grade Sourced Raw Materials*
 - *Available for Interior & Exterior Use*
 - *Static and Dynamic Color Engines*
 - *UL Listed, CE compliant*
 - *3 Year Warranty*

Stainless Steel, Aluminum, Brass,
Acrylic and various other materials available



MOUNTING OPTIONS

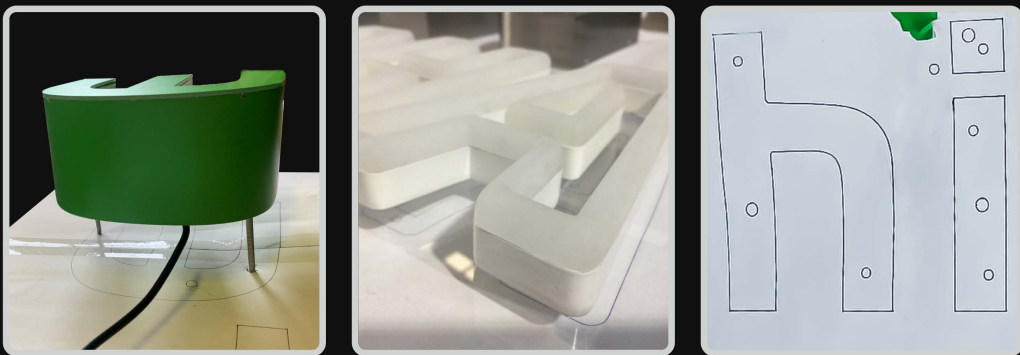
ACRYLIC OR METAL BACKER:



STUD MOUNTS OR STANDOFF PINS:



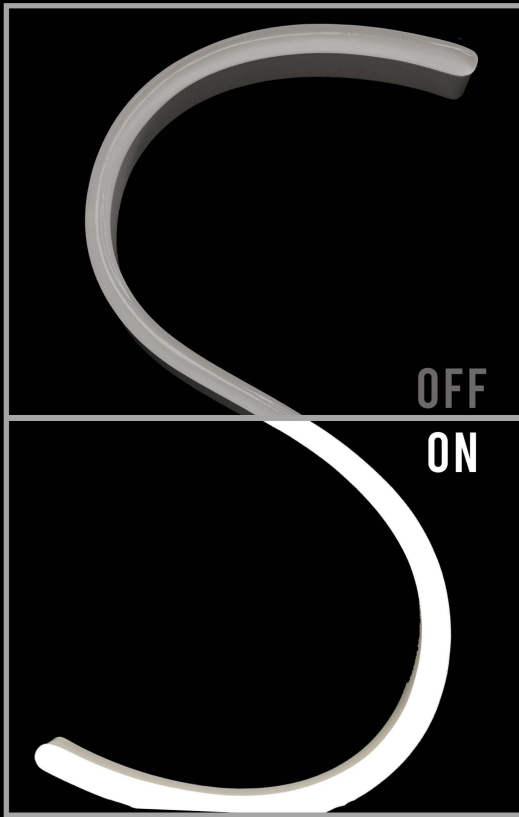
1:1 INSTALLATION TEMPLATE



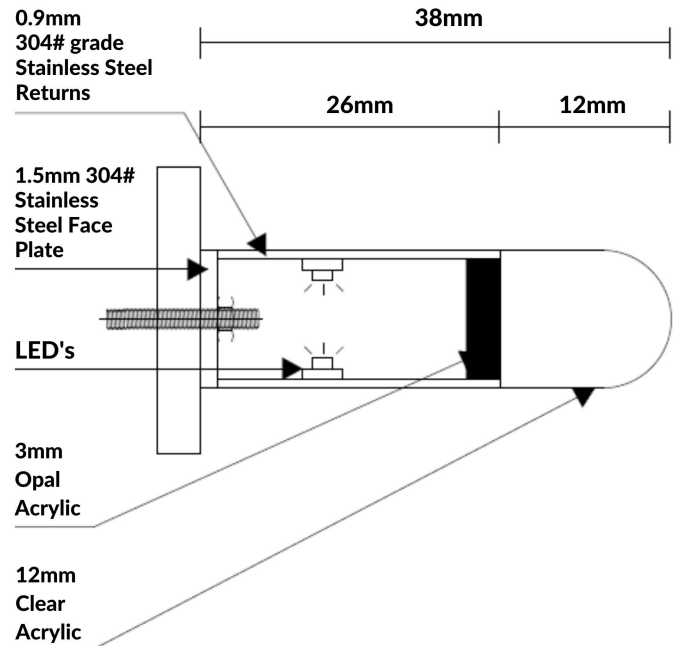
All orders include a 1:1 sized paper template, for an easy rough-in and installation.

SINGLE STROKE FAUX NEON

FAUX SERIES



WITH AN ROUNDED ACRYLIC TOP AND METAL RETURNS



DIFFUSER: Rounded 12mm Frosted or Polished Clear Acrylic Top - with 3mm Colored or White Opal Acrylic Strip under the Diffuser

RETURNS: Painted or Brushed 304# Stainless Steel or Aluminum

LED's: Face lit with CE/UL certified waterproof (or non- waterproof for indoor use) Colored, White or RGB 12V or 24V LED Modules as Light Source

POWER: CE/UL Certified and Waterproof DC12V or 24V Meanwell Transformer Power Supply

MOUNTING: Rear Screw Stud Mounts with 1:1 Paper Template or Pre-Mounted to an Acrylic or Metal Backer with corner Standoff Pins

Please Inquire for other Custom Material

Illumination

Lit Surface Material

Returns Material

Min Stroke
Max Stroke

Min Height
Max Height

Min Width
Max Width

Min Depth
Max Depth

SMD LEDs

Frosted or Polished Clear Acrylic Diffuser

0.9mm 304# Stainless Steel or Aluminum

10mm
30mm

200mm
1200mm

200mm
1200mm

19mm
127mm

FAUX SERIES



DIFFUSER: Rounded 12mm Frosted or Polished Clear Acrylic Top - with 3mm Colored or White Opal Acrylic Strip under the Diffuser

RETURNS: Painted or Brushed 304# Stainless Steel or Aluminum

LED's: Face lit with CE/UL certified waterproof (or non- waterproof for indoor use) Colored, White or RGB 12V or 24V LED Modules as Light Source

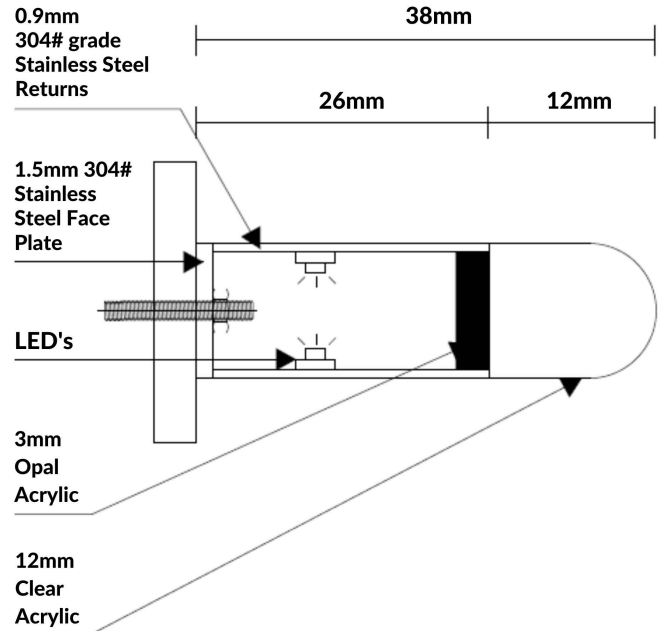
POWER: CE/UL Certified and Waterproof DC12V or 24V Meanwell Transformer Power Supply

MOUNTING: Rear Screw Stud Mounts with 1:1 Paper Template or Pre-Mounted to an Acrylic or Metal Backer with corner Standoff Pins

Please Inquire for other Custom Material

DUAL STROKE FAUX NEON

WITH ROUNDED ACRYLIC TOP
AND METAL RETURNS



Illumination

Lit Surface
Material

Returns
Material

Min Stroke
Max Stroke

Min Height
Max Height

Min Width
Max Width

Min Depth
Max Depth

SMD LEDs

Frosted or
Polished Clear
Acrylic Diffuser

0.9mm 304#
Stainless Steel
or Aluminum

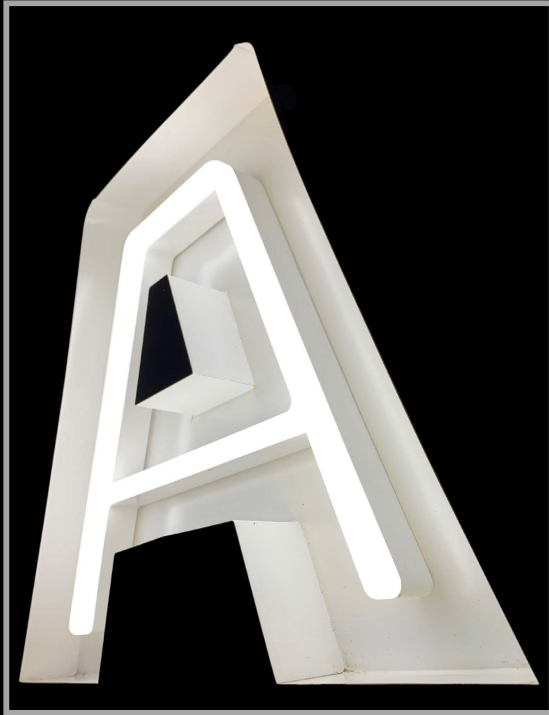
10mm
30mm

200mm
1200mm

200mm
1200mm

19mm
127mm

FAUX SERIES



FACE: Brushed, Polished or Painted 304 Grade Stainless Steel, Painted Aluminum or Electroplated Brass

SIDE AND BACK RETURNS: Brushed, Polished or Painted 304 Grade Stainless Steel, Painted Aluminum or Electroplated Brass

INSIDE OF LETTERS: Painted Glossy White or Colored.

LED's: CE/UL Certified Colored, White or RGB DC12V or 24V SMD LED Modules

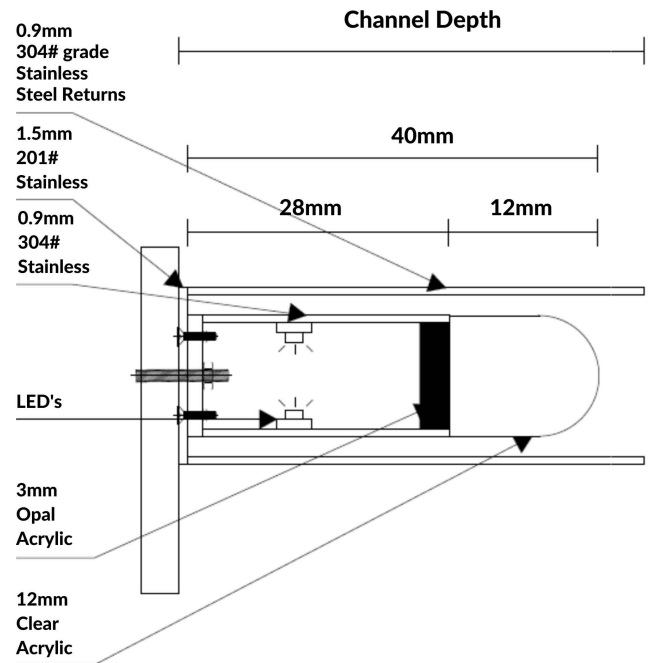
POWER: CE/UL Certified and Waterproof DC12V or 24V Transformer Power Supply

MOUNTING: Rear Screw Standoff Mounting Pins with 1:1 Paper Template Provided or Pre-Mounted to an Acrylic or Metal Backer

Please Inquire for other Custom Material

OPEN CHANNEL FAUX NEON

WITH STAINLESS OR ALUMINUM RETURNS



Illumination

SMD LEDs

Lit Surface Material

Frosted or Polished Clear Acrylic Diffuser

Returns Material

304# Stainless Steel or Aluminum

Min Stroke

20mm

Min Neon Stroke Max Neon Stroke

10mm
300mm

Min Height Max Height

200mm
1200mm

Min Width Max Width

200mm
1200mm

Min Depth

76mm

FAUX SERIES



FACE: Brushed, Polished or Painted 304 Grade Stainless Steel or Electroplated Brass

SIDE AND BACK RETURNS: Brushed, Polished or Painted 304 Grade Stainless Steel, Painted Aluminum or Electroplated Brass

INSIDE OF LETTERS: Painted Glossy White or Colored.

LED's: CE/UL Certified Colored, White or RGB DC12V or 24V SMD LED Modules

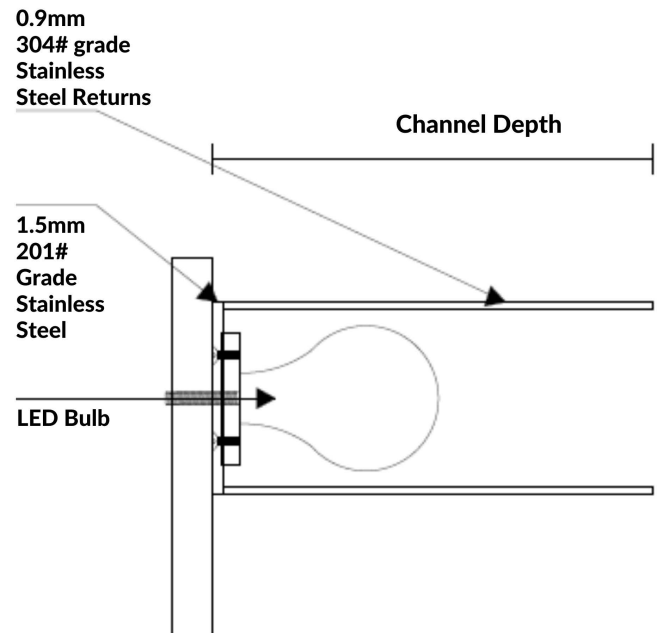
POWER: CE/UL Certified and Waterproof DC12V or 24V Transformer Power Supply

MOUNTING: Rear Screw Standoff Mounting Pins with 1:1 Paper Template Provided or Pre-Mounted to an Acrylic or Metal Backer

Please Inquire for other Custom Material

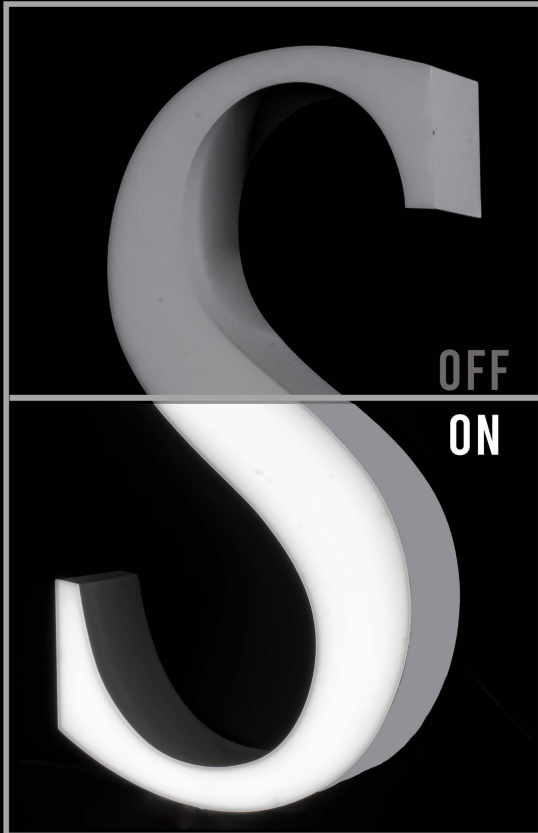
CHANNEL BULB LETTERS

WITH STAINLESS OR ALUMINUM RETURNS



Illumination	LED Bulbs
Surface Finish	Painted, Brushed or Electroplated
Returns Material	Stainless Steel, Aluminum or Brass
Min. Stroke Width	7mm
Min. Width	200mm
Max. Width	1000mm
Min. Height	200mm
Max. Height	1100mm
Min. Depth	100mm
Max. Depth	200mm

SOLID ACRYLIC SERIES



FACE: White or Colored Translucent Acrylic Front

SIDE AND BACK RETURNS: White, Colored or Painted Opaque Acrylic

LED's: Face lit with CE/UL Certified Waterproof (or non-waterproof for indoor use) Colored, Whites or RGB LED Modules as Light Source

POWER: CE/UL Certified and Waterproof DC12V or 24V Transformer Power Supply

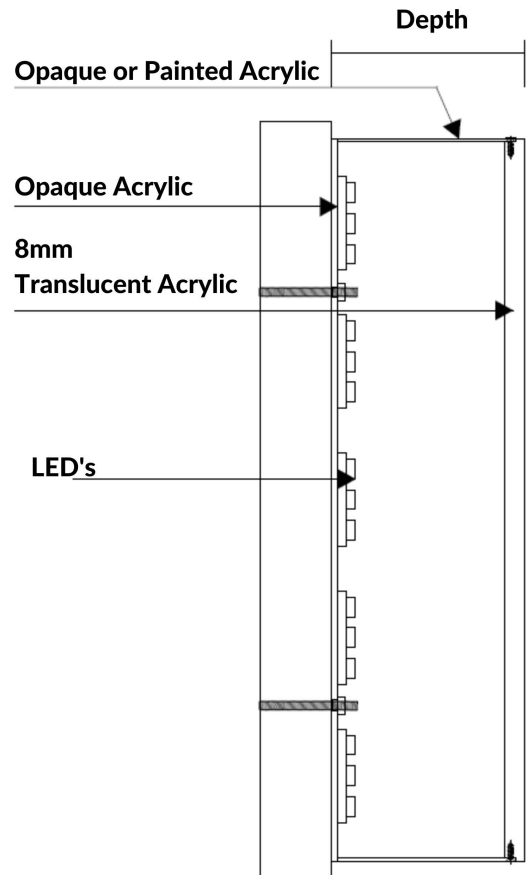
MOUNTING: Rear Screw Standoff Mounting Pins with 1:1 Paper Template Provided or Pre-Mounted to an Acrylic or Metal Backer

Inside of Letters Painted Glossy White or Colored

Please Inquire for other Custom Materials

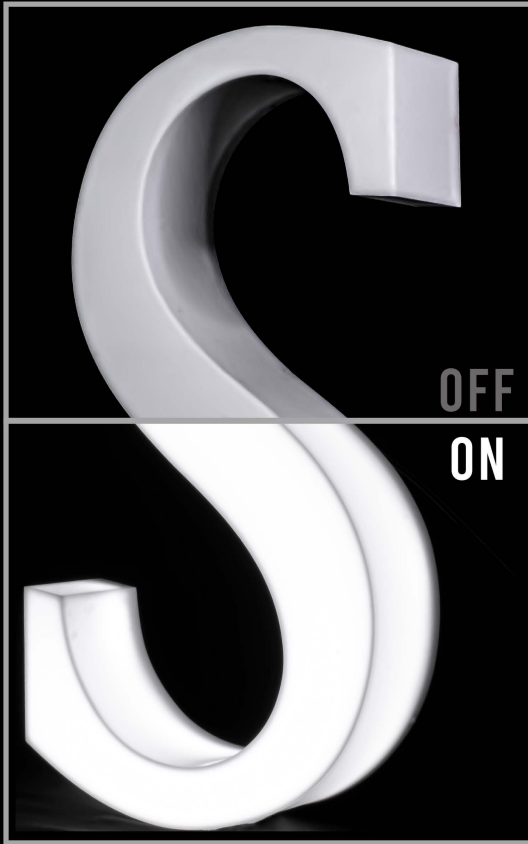
FACE LIT

WITH OPAQUE ACRYLIC RETURNS



Illumination	Face Lit SMD LEDs
Lit Surface Material	Colored or White Translucent Acrylic
Returns Material	Opaque Acrylic
Min Stroke	12mm
Min Height	200mm
Max Height	1200mm
Min Width	200mm
Max Width	1200mm
Min Depth	38.1mm
Max Depth	127mm

SOLID ACRYLIC SERIES



FACE AND SIDES: White or Colored Translucent Acrylic Front

BACK RETURNS: White, Colored or Painted Opaque Acrylic

LED's: Face and Side Lit with CE/UL Certified Waterproof (or non-waterproof for indoor use) Colored, Whites or RGB LED Modules as Light Source

POWER: CE/UL Certified and Waterproof DC12V or 24V Transformer Power Supply

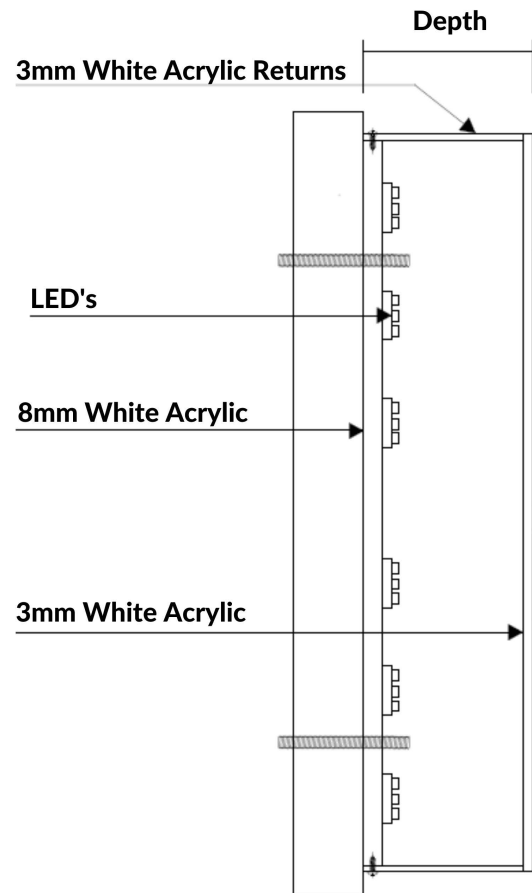
MOUNTING: Rear Screw Standoff Mounting Pins with 1:1 Paper Template Provided or Pre-Mounted to an Acrylic or Metal Backer

Inside of Letters Painted Glossy White or Colored.

Please Inquire for other Custom Materials

FACE & FULL SIDE LIT

WITH OPAQUE ACRYLIC BACK



Illumination

Face & Side Lit SMD LEDs

Lit Surface Material

Colored or White Acrylic

Returns Material

Opaque Acrylic

Min Stroke

20mm

**Min Height
Max Height**

200mm
900mm

**Min Width
Max Width**

200mm
900mm

**Min Depth
Max Depth**

60mm
80mm

SOLID ACRYLIC SERIES



FACE: White or Colored Translucent Acrylic

RETURNS: White, Colored or Painted Opaque Acrylic

LED's: Face lit with CE/UL Certified Waterproof (or non-waterproof for indoor use) Colored, Whites or RGB LED Modules as Light Source

POWER: CE/UL Certified and Waterproof DC12V or 24V Transformer Power Supply

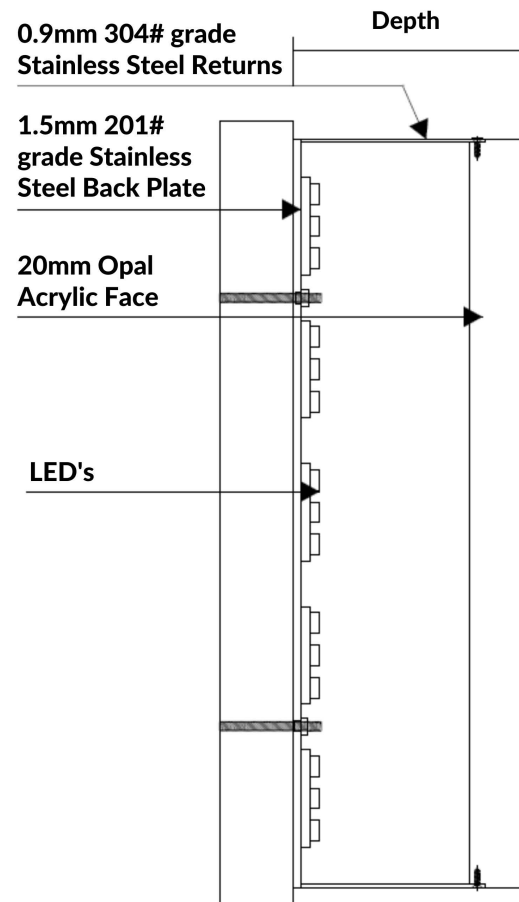
MOUNTING: Rear Screw Standoff Mounting Pins with 1:1 Paper Template Provided or Pre-Mounted to an Acrylic or Metal Backer

Inside of Letters Painted Glossy White or Colored.

Please Inquire for other Custom Materials

FACE & HALF-SIDE LIT

WITH OPAQUE ACRYLIC RETURNS



Illumination

Face Lit
SMD LEDs

Lit Surface
Material

Colored or White
Translucent
Acrylic

Returns
Material

Opaque
Acrylic

Min Stroke

12mm

Min Height
Max Height

200mm
1100mm

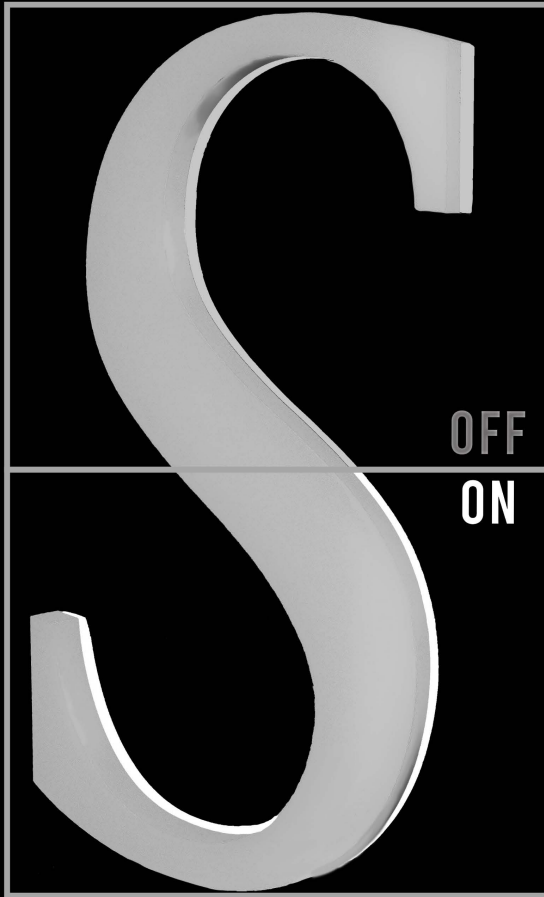
Min Width
Max Width

200mm
1100mm

Min Depth
Max Depth

50.8mm
127mm

SOLID ACRYLIC SERIES



FACE: White or Colored Translucent Acrylic Front

SIDE RETURNS: Brushed, Polished or Painted 304 Grade Stainless Steel, Painted Aluminum or Electroplated Brass

INSIDE OF LETTERS: Painted Glossy White or Colored.

LED's: CE/UL Certified Colored, White or RGB DC12V or 24V SMD LED Modules

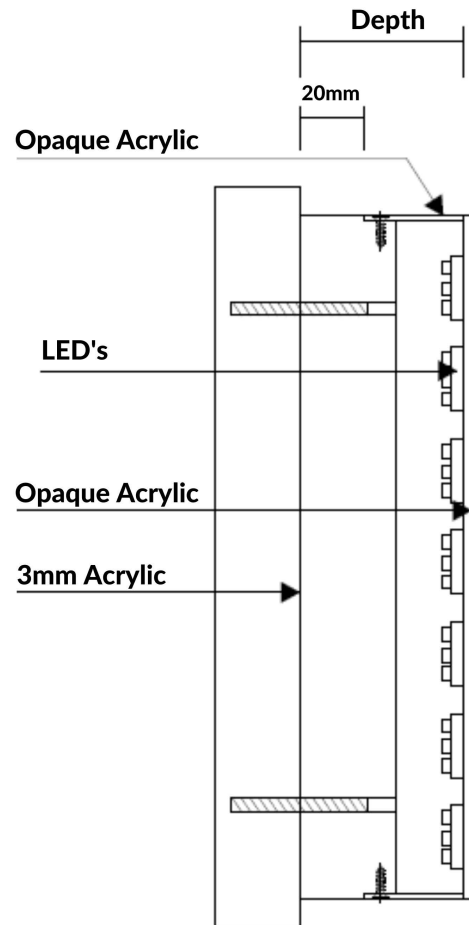
POWER: CE/UL Certified and Waterproof DC12V or 24V Transformer Power Supply

MOUNTING: Rear Screw Standoff Mounting Pins with 1:1 Paper Template Provided or Pre-Mounted to an Acrylic or Metal Backer

Please Inquire for other Custom Materials

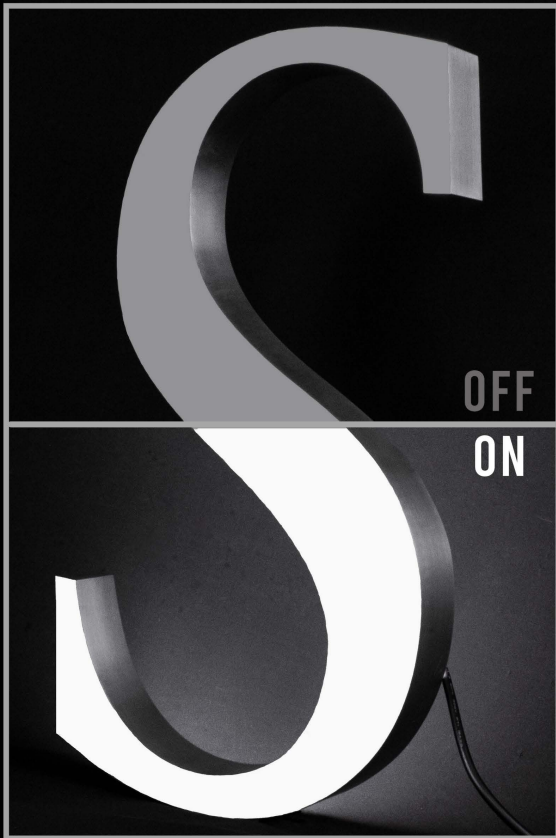
HALF SIDE LIT

WITH OPAQUE ACRYLIC BACK



Illumination	Half Side Lit SMD LEDs
Lit Surface Material	Colored or White Translucent Acrylic
Face Material and Returns	304# Stainless Steel, Aluminum or Brass
Min Stroke	12mm
Min Height	200mm
Max Height	1200mm
Min Width	200mm
Max Width	1200mm
Min Depth	50mm
Max Depth	102mm

STAINLESS SERIES



FACE: White or Colored Acrylic Front

SIDE AND BACK RETURNS: Brushed, Polished, Electroplated or Painted 304 Grade Stainless Steel.

LED's: Face lit with CE/UL Certified Waterproof (or non-waterproof for indoor use) Colored, Whites or RGB LED Modules as Light Source

POWER: CE/UL Certified and Waterproof DC12V or 24V Transformer Power Supply

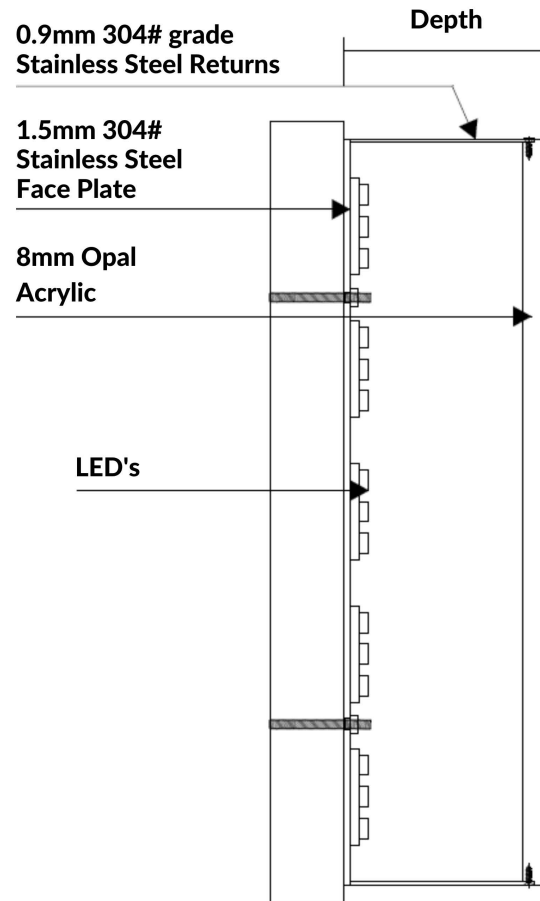
MOUNTING: Rear Screw Standoff Mounting Pins with 1:1 Paper Template Provided or Pre-Mounted to an Acrylic or Metal Backer

Inside of Letters Painted Glossy White or Colored

Please Inquire for other Custom Materials

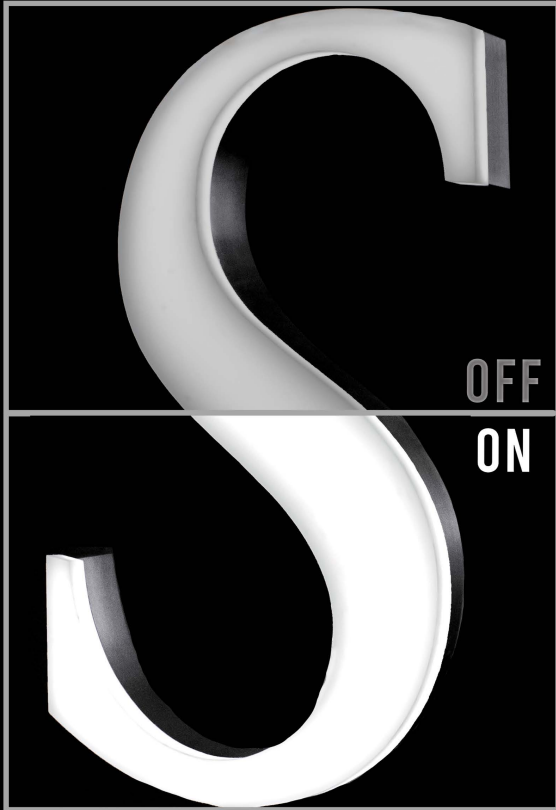
FACE LIT

WITH METAL RETURNS



Illumination	Face Lit SMD LEDs
Lit Surface Material	Colored or White Translucent Acrylic
Returns Material	304# Stainless Steel
Min Stroke	12mm
Min Height	200mm
Max Height	1200mm
Min Width	200mm
Max Width	1200mm
Min Depth	38.1mm
Max Depth	127mm

STAINLESS SERIES



FACE: White or Colored Acrylic Front

SIDE AND BACK RETURNS: Brushed, Polished, Electroplated or Painted 304 Grade Stainless Steel.

LED's: Face lit with CE/UL Certified Waterproof (or non-waterproof for indoor use) Colored, Whites or RGB LED Modules as Light Source

POWER: CE/UL Certified and Waterproof DC12V or 24V Transformer Power Supply

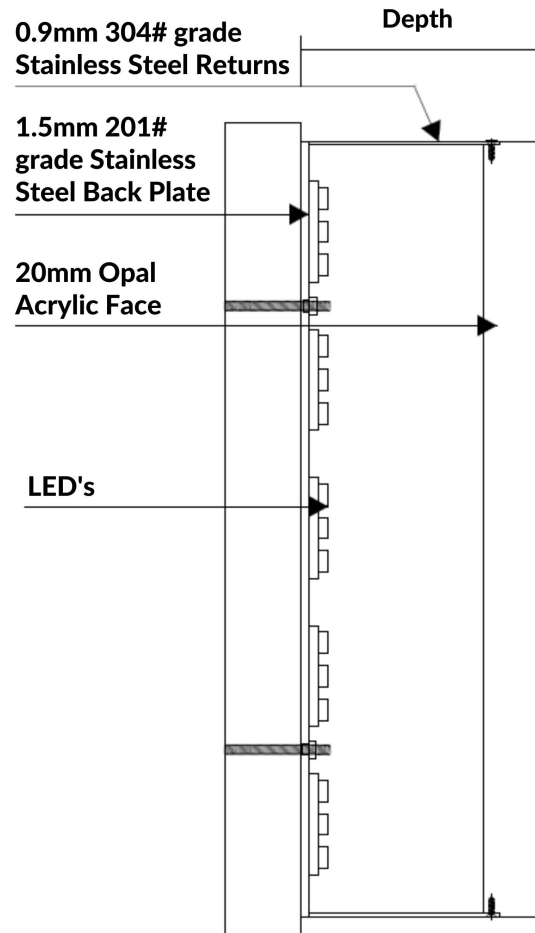
MOUNTING: Rear Screw Standoff Mounting Pins with 1:1 Paper Template Provided or Pre-Mounted to an Acrylic or Metal Backer

Inside of Letters Painted Glossy White or Colored.

Please Inquire for other Custom Materials

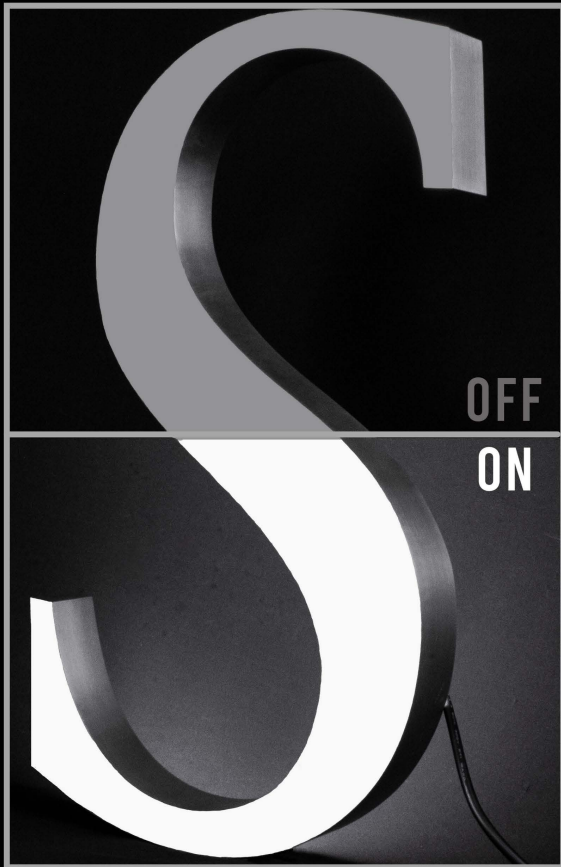
FACE & HALF SIDE LIT

WITH METAL RETURNS



Illumination	Face Lit SMD LEDs
Lit Surface Material	Colored or White Acrylic
Returns Material	304# Stainless Steel
Min Stroke	12mm
Min Height	200mm
Max Height	1100mm
Min Width	200mm
Max Width	1100mm
Min Depth	50.8mm
Max Depth	127mm

STAINLESS SERIES



FACE: White or Colored Acrylic Front

SIDE AND BACK RETURNS: Brushed, Polished, Electroplated or Painted 304 Grade Stainless Steel.

LED's: Face lit with CE/UL Certified Waterproof (or non-waterproof for indoor use) Colored, Whites or RGB LED Modules as Light Source

POWER: CE/UL Certified and Waterproof DC12V or 24V Transformer Power Supply

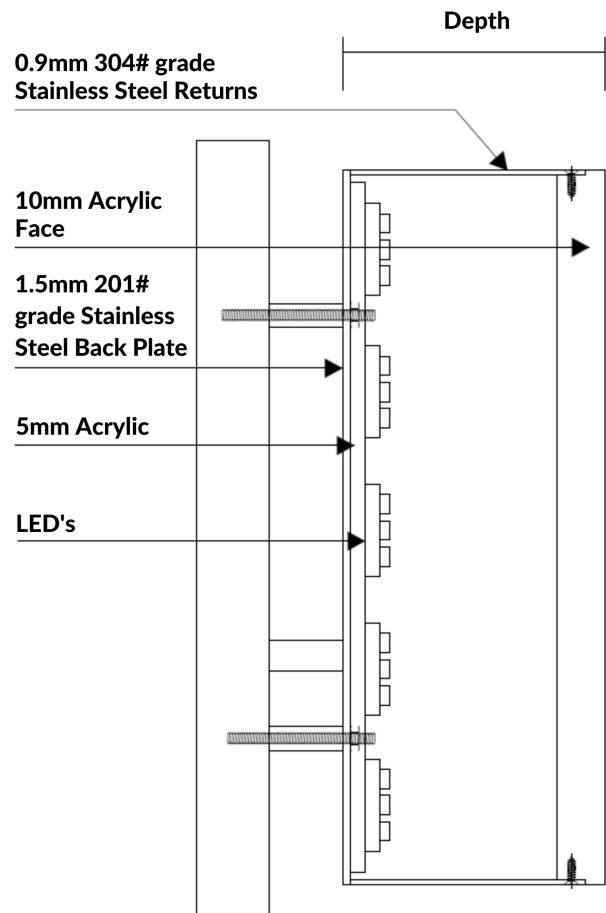
MOUNTING: Rear Screw Standoff Mounting Pins with 1:1 Paper Template Provided or Pre-Mounted to an Acrylic or Metal Backer

Inside of Letters Painted Glossy White or Colored.

Please Inquire for other Custom Materials

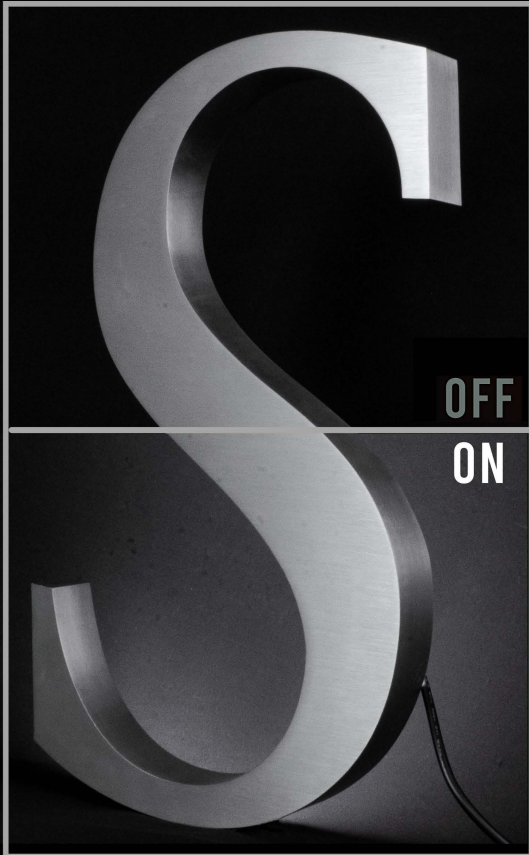
FACE & HALO LIT

WITH METAL RETURNS



Illumination	Face Lit SMD LEDs
Lit Surface Material	Colored or White Translucent Acrylic
Returns Material	304# Stainless Steel,
Min Stroke	15mm
Min Height	100mm
Max Height	600mm
Min Width	100mm
Max Width	600mm
Min Depth	25mm
Max Depth	30mm

STAINLESS SERIES



FACE: Brushed, Polished or Painted 304 Grade Stainless Steel, Painted Aluminum or Electroplated Brass

SIDE AND BACK RETURNS: Brushed, Polished or Painted 304 Grade Stainless Steel, Painted Aluminum or Electroplated Brass

INSIDE OF LETTERS: Painted Glossy White or Colored.

LED's: CE/UL Certified Colored, White or RGB DC12V or 24V SMD LED Modules

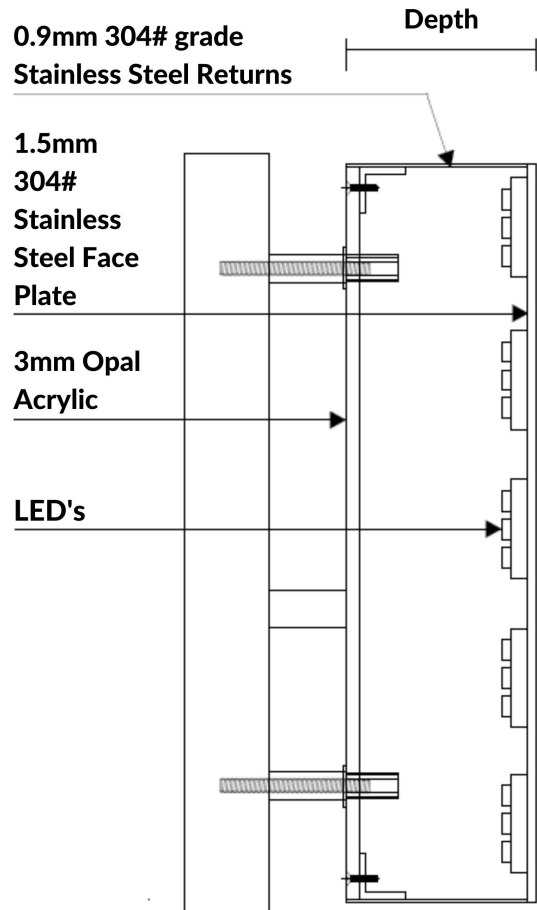
POWER: CE/UL Certified and Waterproof DC12V or 24V Transformer Power Supply

MOUNTING: Rear Screw Standoff Mounting Pins with 1:1 Paper Template Provided or Pre-Mounted to an Acrylic or Metal Backer

Please Inquire for other Custom Material

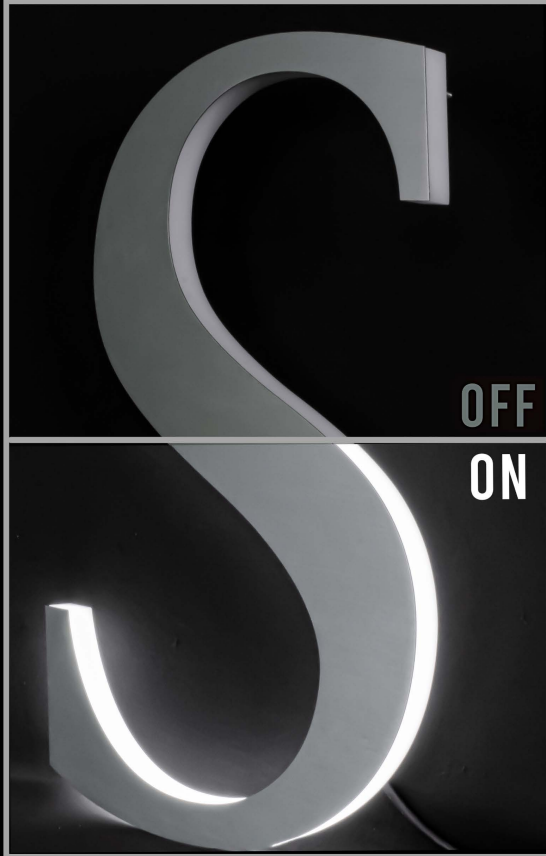
HALO LIT

WITH METAL RETURNS



Illumination	Halo Lit - SMD LEDs
Lit Surface Material	Colored or Opal White Acrylic or Vinyl
Face and Returns Material	304# Stainless Steel, Aluminum or Brass
Min Stroke	10mm
Min Height	200mm
Max Height	1200mm
Min Width	200mm
Max Width	1200mm
Min Depth	19mm
Max Depth	127mm

STAINLESS SERIES



FACE: Brushed, Polished or Painted 304 Grade Stainless Steel, Painted Aluminum or Electroplated Brass

SIDES AND BACK: Opal White or Colored Acrylic

INSIDE OF LETTERS: Painted Glossy White or Colored.

LED's CE/UL Certified Waterproof (or non-waterproof for indoor use) Colored, White or RGB LED Modules

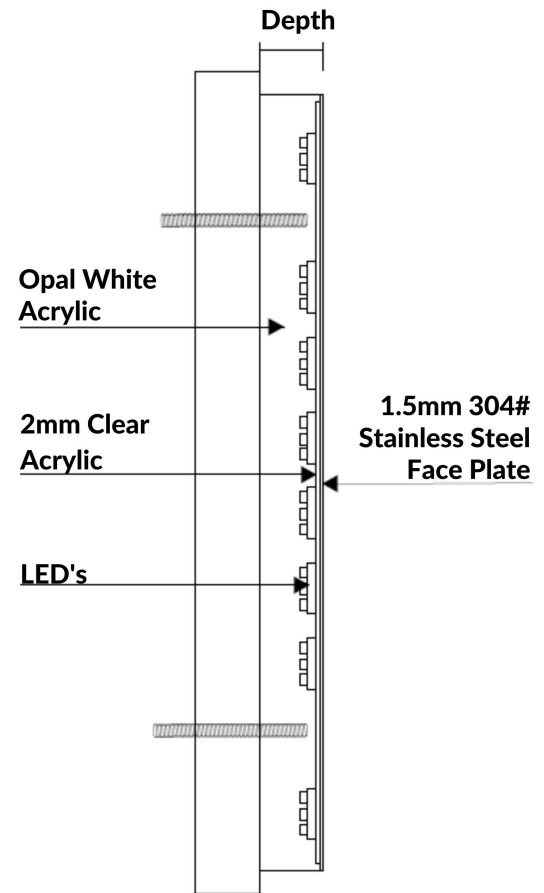
POWER: CE/UL Certified and Waterproof DC12V or 24V Transformer Power Supply

MOUNTING: Rear Screw Standoff Mounting Pins with 1:1 Paper Template Provided or Pre-Mounted to an Acrylic or Metal Backer

Please Inquire for other Custom Materials

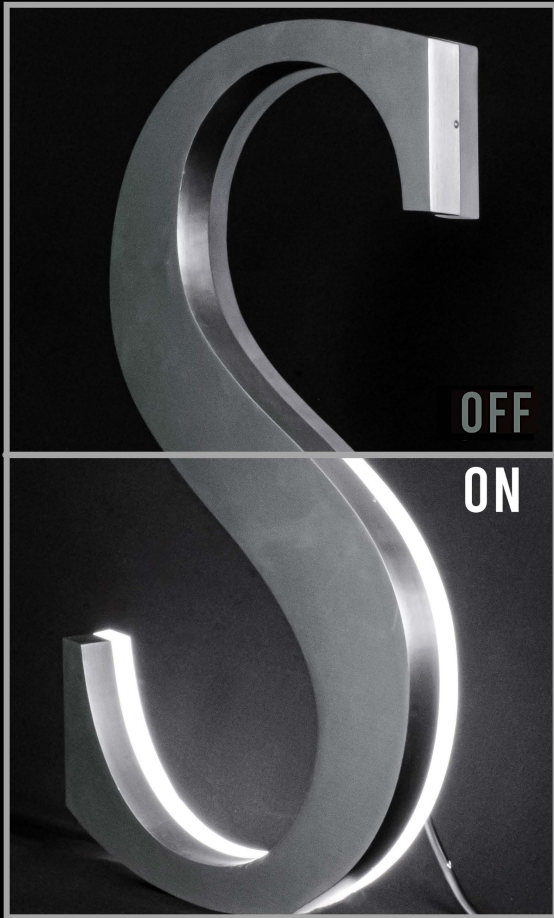
HALO LIT AND FULL SIDE

WITH METAL RETURNS



Illumination	Halo and Half Side Lit SMD LED's
Lit Surface Material	Colored or Opal White Acrylic
Face Material and Returns	304# Stainless Steel, Aluminum or Brass
Min Stroke	15mm
Min Height	100mm
Max Height	600mm
Min Width	100mm
Max Width	600mm
Min Depth	25mm
Max Depth	30mm

STAINLESS SERIES



FACE: Brushed, Polished or Painted 304 Grade Stainless Steel, Painted Aluminum or Electroplated Brass

SIDE RETURNS: Brushed, Polished or Painted 304 Grade Stainless Steel, Painted Aluminum or Electroplated Brass

INSIDE OF LETTERS: Painted Glossy White or Colored.

LED's: CE/UL Certified Colored, White or RGB DC12V or 24V SMD LED Modules

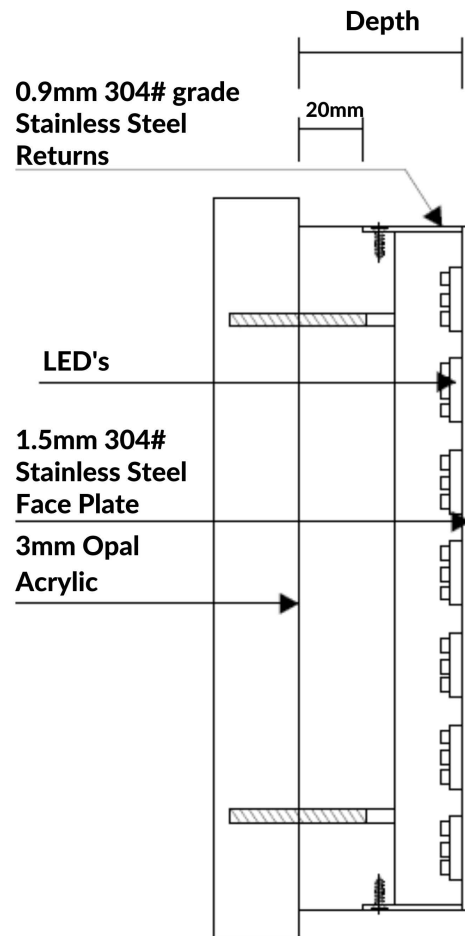
POWER: CE/UL Certified and Waterproof DC12V or 24V Transformer Power Supply

MOUNTING: Rear Screw Standoff Mounting Pins with 1:1 Paper Template Provided or Pre-Mounted to an Acrylic or Metal Backer

Please Inquire for other Custom Materials

HALO + HALF SIDE LIT

WITH METAL RETURNS



Illumination

Halo and Half Side Lit SMD LEDs

Lit Surface Material

Colored or Opal White Acrylic or Vinyl

Face Material and Returns

304# Stainless Steel, Aluminum or Brass

Min Stroke

12mm

Min Height Max Height

200mm
1200mm

Min Width Max Width

200mm
1200mm

Min Depth Max Depth

50mm
102mm

STAINLESS SERIES



FACE: Brushed, Polished or Painted 304 Grade Stainless Steel, Painted Aluminum or Electroplated Brass

SIDE RETURNS: Brushed, Polished or Painted 304 Grade Stainless Steel, Painted Aluminum or Electroplated Brass

INSIDE OF LETTERS: Painted Glossy White or Colored.

LED's: CE/UL Certified Colored, White or RGB DC12V or 24V SMD LED Modules

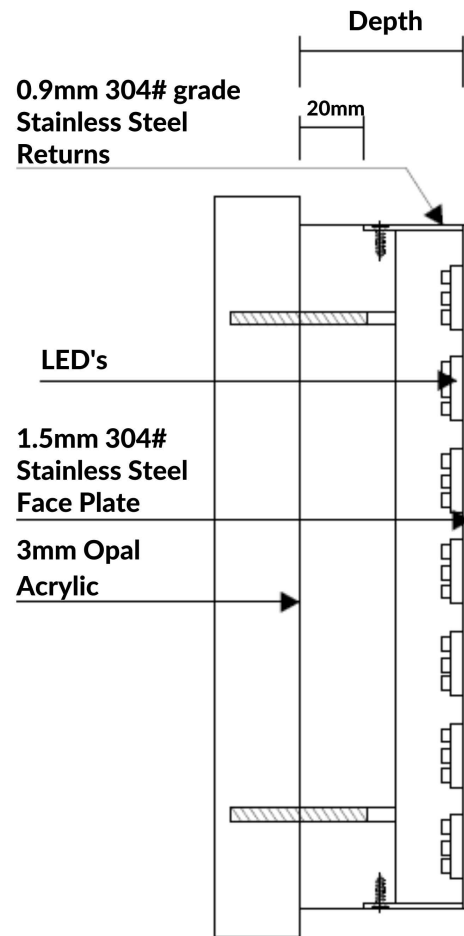
POWER: CE/UL Certified and Waterproof DC12V or 24V Transformer Power Supply

MOUNTING: Rear Screw Standoff Mounting Pins with 1:1 Paper Template Provided or Pre-Mounted to an Acrylic or Metal Backer

Please Inquire for other Custom Materials

HALF SIDE LIT

WITH METAL RETURNS



Illumination	Halo and Half Side Lit SMD LED's
Lit Surface Material	Colored or Opal White Acrylic
Face Material and Returns	304# Stainless Steel, Aluminum or Brass
Min Stroke	12mm
Min Height	200mm
Max Height	1200mm
Min Width	200mm
Max Width	1200mm
Min Depth	50mm
Max Depth	102mm



VIVID ARCHITECTURAL LETTERING &
ILLUMINATED SIGNAGE



GLLS, reserves the right to make any design changes for continuous improvement which will not affect the overall appearance or performance.



UNITED STATES

1075 American Pacific Dr.
Suite A, Henderson, NV
89074, United States

CANADA

Suite 200, 264 Botsford St.,
Moncton, New Brunswick,
Canada E1C 4X7

UNITED KINGDOM

Unit 21, The Old Rectory,
Northfleet, Gravesend DA11
8HN, United Kingdom

Phone

+1 (888) 580-6366

UK Phone

+01322-838080